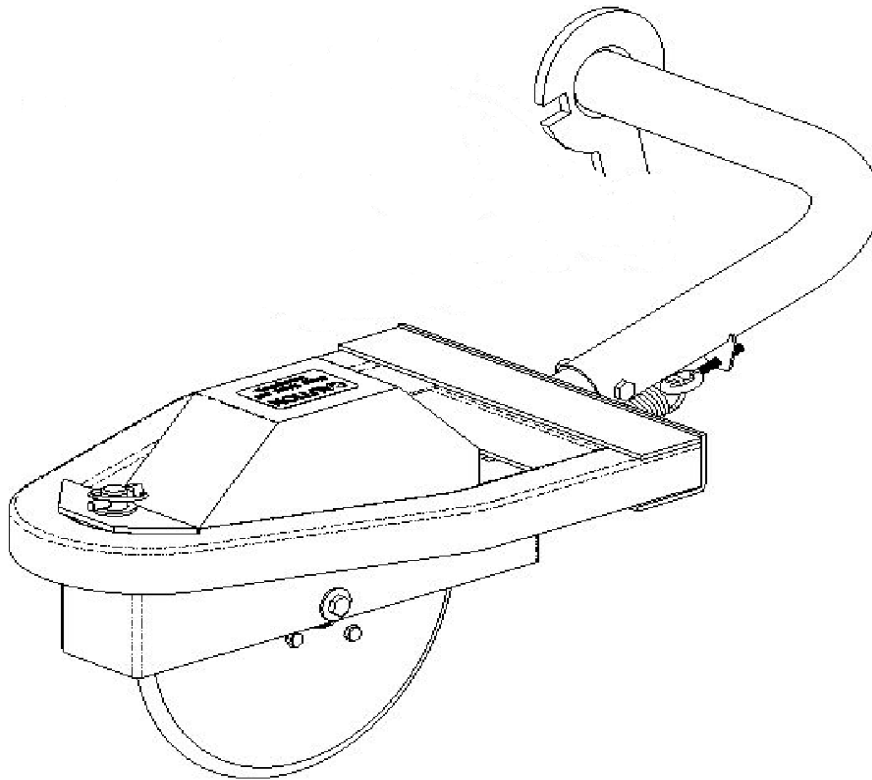


KUTTING-EDGE.

Pathway Edger for the Gator Model TX



Bishop Enterprises, Inc.
9033 Shelbyville Hwy. Bell Buckle, TN 37020
Tel: 615.233.5173 Fax: 615.233.5102

Look For Other Great BEI Products On The Web at
www.turf-aire.com

Kutting Edge Mounting Instructions

Installing The Edger Assembly

You must first remove the bracket that is used to hold the bed down. Then mount the side plate first by inserting the square shaft into the square tubing on the left side of the truckster. There is a hole at the right bottom of the side plate, included in your hardware kit is a 9/16s bolt and lock nut with washers install the bolt and nut. Then you will reinstall the truckster hold down bracket with the two bolts going through the side plate and tighten these bolts. Next there are two 3/8s bolts and nuts that will need to be installed in the back of the foot-rest. You will need to drill holes in the back of the foot-rest using a .400 drill bit install the 3/8s bolts and nuts and tighten

Insert the round end of The Main Control Arm onto the 2.25" tube welded to the side plate. This is done by sliding the tube as far forward as it will go. Align the cut-out on the flange of the control arm past the keeper on the slide plate, turning it toward the front of the truckster. This will retain the control arm to the side plate. Now slide the tubular end of the Main Coulter Frame Assembly into the end of the Main Control Arm, attach using 1/2" bolt through the hole at the end of Main Coulter and Main Control Arm. Fasten and tighten with serrated flange nut provided.

Mount the Coulter Carrier Frame to the Main Coulter Frame Assembly by inserting the 1" shaft through the bushings of the Main Coulter Carrier Frame, secure by putting the quick pin into the hole at the top of the pivot post of the Coulter Carrier Frame. (Note: In order to make this part of the installation easier, it is recommended to lightly coat the pivot post with grease.)

Now attach the Hydraulic Pump Cylinder to the Side Plate by putting the stationary end of the pump to the front of the Side Plate secure with the Pin and hitch pin clips next attach the dynamic end of the pump to the control arm. You may want to install the wiring harness first so you can position the pump to the flange on the control arm.

To install the wiring harness you will want to attach the switch mounting brackets to the tubing beside the left seat. Secure the switch bracket to the tubing.

Raise the bed and behind the right seat is an electrical connector attach the connector at the end of the wiring harness to the connector on the truckster wiring harness securely. This connector is hot and now the pump Cylinder should be active. Activate the pump cylinder to align the its end and install the pin provided.

Cycle the pump several times and observe its action to make sure it Works correctly.

Hanging the Cutting Edge Edger onto the Mounting

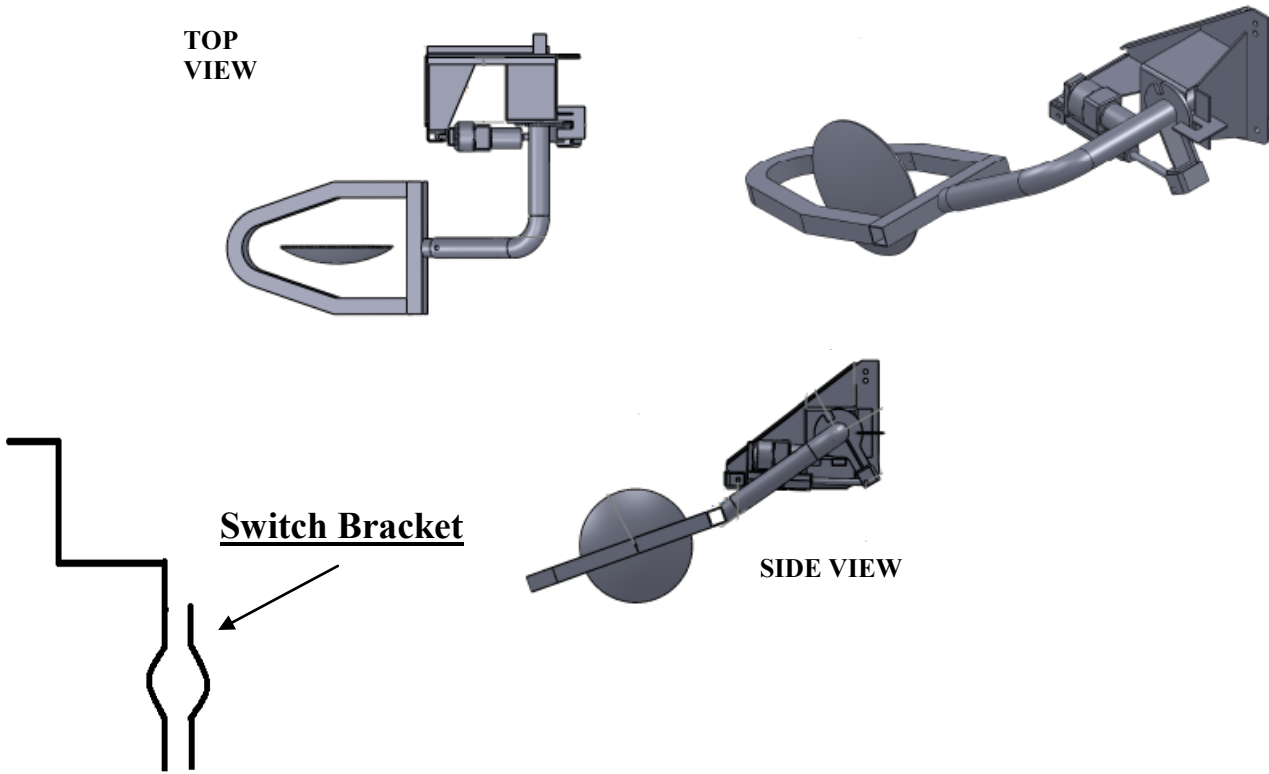
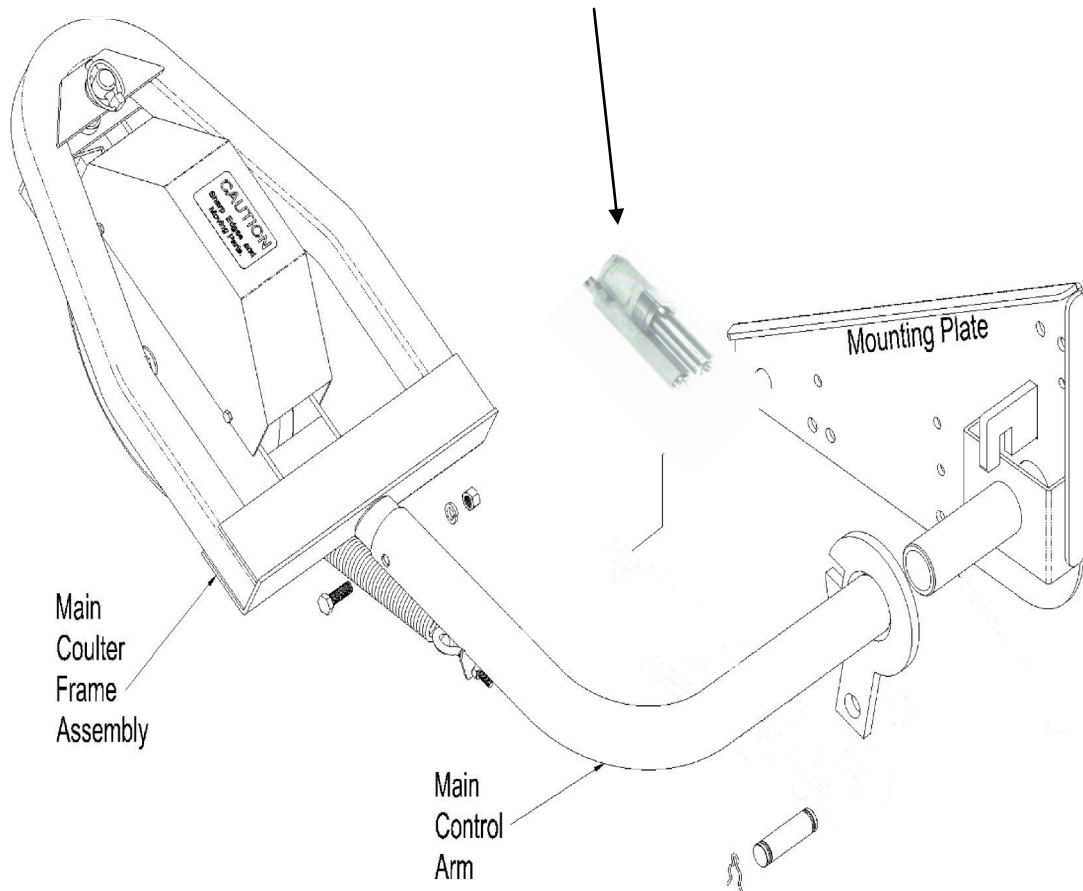


Figure #1

e40028 Pump Cylinder Combo



Illustrated Parts List

For Cutting Edge Edger

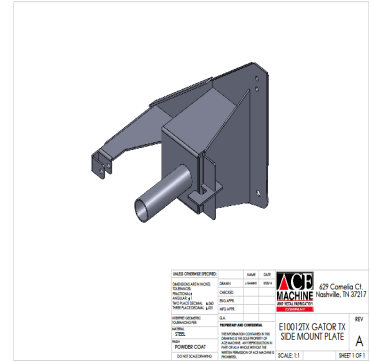
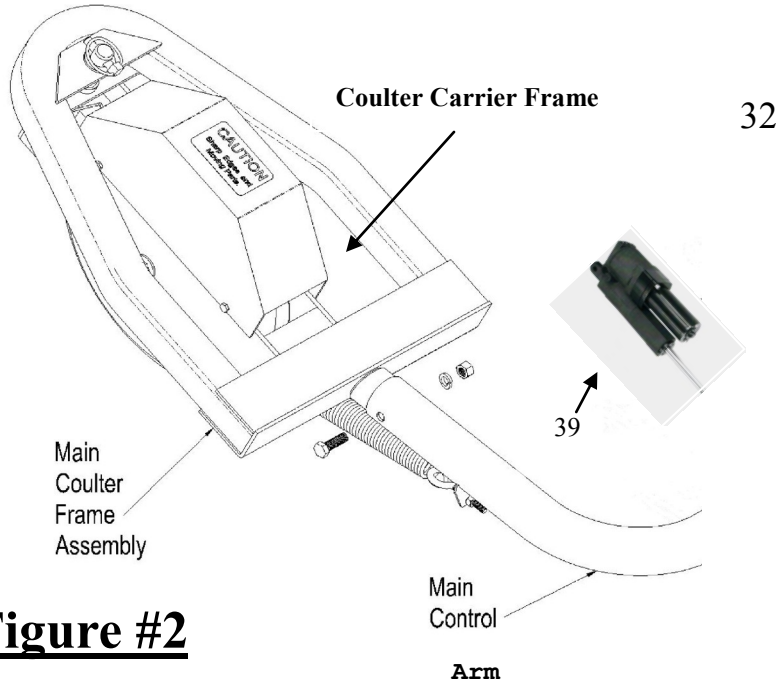
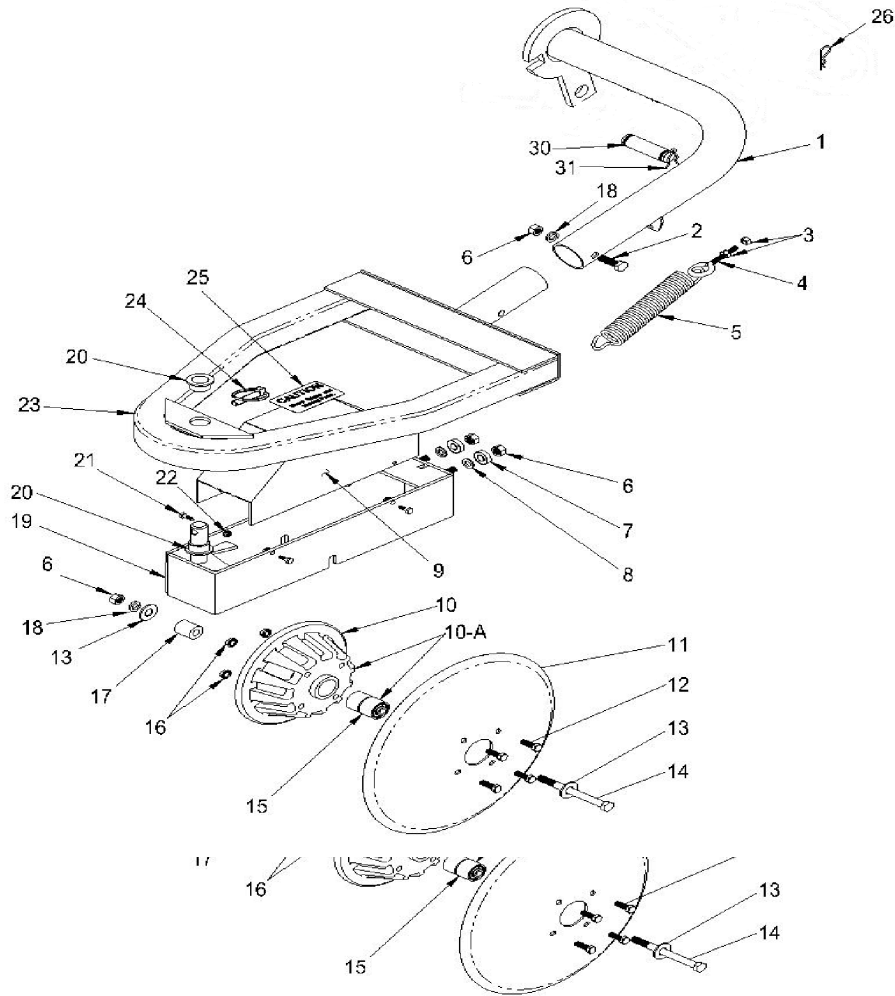


Figure #2



Illustrated Parts List

For Cutting Edge Edger on the TX,TS Gator

<u>Item #</u>	<u>Qty.</u>	<u>Part #</u>	<u>Description</u>
1	1	e10018G	Main Control Arm
2	1	e10061	1/2-13 x 3" Hex Hd Bolt
3	2	e10026D	3/8-1 Hx Nut
4	1	e10042	3/8-16 x 3" Eyebolt
5	1	e10037	Spring
6	3	e10014D	1/2-13 Hx Nut
7	2	e10038	1/2" Carrier Bearing
8	2	e10060	Spacer
9	1	e10033N	Coulter Cover
10	1	e10026	Coulter Hub
10-A	1	e10026F	Coulter Hub With Bearing
11	1	e10013	Disc
12	4	e10026B	3/8-16 x 1" Bolt
13	2	e10014B	1/2" Flat Washer
14	1	e10014	1/2-13 x 5" Mounting Bolt
15	1	e10026A	Coulter Bearing
16	4	e10026D	3/8-16 Hx Nut
17	1	e10014E	1/2"x 1" Spacer
18	2	e10014C	1/2" Lock Washer
19	1	e10022A	Coulter Carrier Frame
20	2	e10039	Bushing
21	4	e10034B	1/4-20 x 1/2" Hx Hd Bolt
23	1	e10025A	Main Coulter Frame
24	1	e10040	Lynch Pin
25	1	e10033a	Caution Decal
26	1	e10016	#10 Hairpin
29	1	e40028	Pump Cylinder Combo
30	2	e10021	1" Hairpin Clip For Pin
32	1	e10012TX	Side Mounting Plate
33	1	031034	Switch
34	2	e10035A	Flat Washer
35	1	e40025	Wiring Harness, Switch
36	2	e40025C	Battery Wire 48" 16 Gauge
38a	1	e40027	Connector
39	1	031034	Switch
40	1	e40029	Long switch bracket
41	1	e40030	Short switch bracket
42	2	e10026b	Bolt 3/8 x 1"
43	2	e10026D	Nut 3/8 serrated flange
44	1	e40027tx	Power Wiring

Kutting Edge Edger Wiring Instructions

Wiring installation:

Mount the Toggle Switch Bracket to the **left arm rest** using the existing bolts and hardware. Plug the end of the harness to the electric connector directly behind the right seat under the bed. This connector has already been activated by JOHN DEERE and is protected by a 40 amp fuse.

Switch Bracket

Item #1

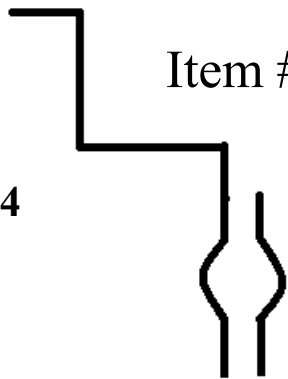
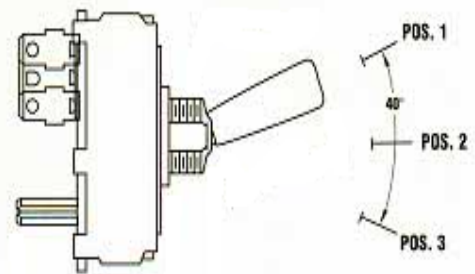
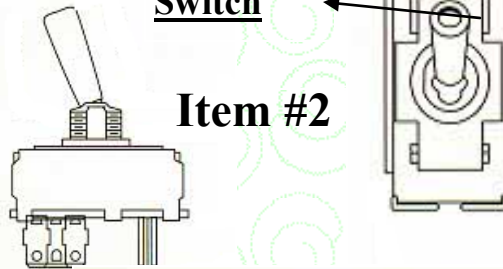


Figure #4

Switch

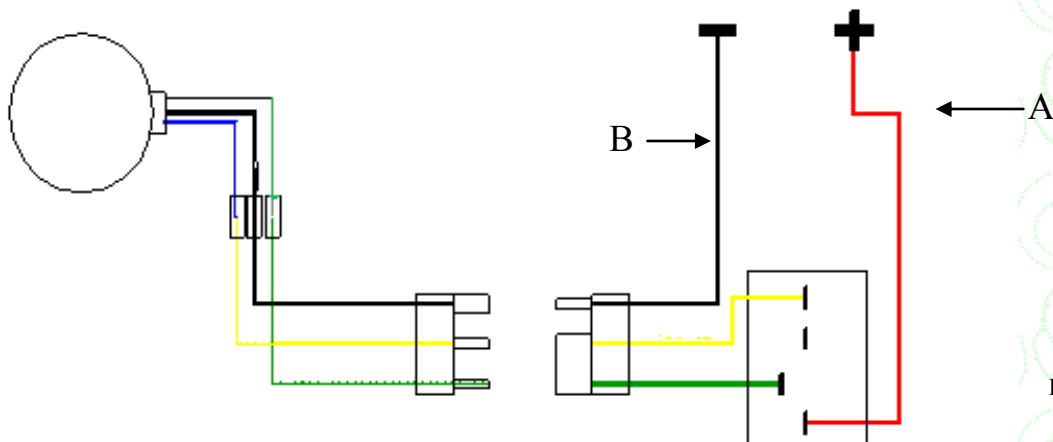
Item #2



Item C

Figure #5

CONNECTOR



Limited Warranty

Bishop Enterprises, Inc. (hereinafter referred to as "Bishop") **warrants for one (1) year** all new **GATOR EDGER** units. This warranty extends to the original retail purchaser only and commences on the date of original retail purchase. Accordingly, this warranty is not transferable to any subsequent purchasers.

Any part of the **GATOR EDGER** unit or accessory manufactured by Bishop and found in the reasonable judgment of Bishop to be defective in material or workmanship will be repaired or replaced by an authorized **GATOR EDGER distributor/dealer** without charge for parts and labor. The **GATOR EDGER unit**, including any defective part, must be returned to an authorized **GATOR EDGER distributor/dealer** within the warranty period of one (1) year. The **owner/operator** will be responsible for the expense of returning the **GATOR EDGER** unit to an authorized distributor/dealer for warranty service, as well as the expense for having it returned to them after said repair or replacement.

Bishop's responsibility is limited to making the required repairs or replacements at the authorized dealer location. No Claim of breach of warranty shall be cause for cancellation or rescission of the contract of sale of any **GATOR EDGER** unit. Proof of purchase will be required by the authorized **GATOR EDGER distributor/dealer** to substantiate any warranty claim and all warranty work must be performed by an authorized **GATOR EDGER distributor/dealer**.

Bishop makes no warranty with respect to the Hydraulic Pump, (This part will be warranted separately by the respective manufacturer.) This warranty **does not** include service items subject to normal wear (i.e., disc and coulter hub). This warranty **does not** cover any **GATOR EDGER** unit that has been subject to misuse, neglect, negligence, or accident, or that has been operated or maintained in any way contrary to the operating or maintenance instructions as specified in the **GATOR EDGER** Operator's Manual. The warranty **does not** apply to any **GATOR EDGER** unit that has been altered or modified so as to adversely affect the unit, operation, performance, or durability or that has been altered or modified so as to change its intended use. In addition, the warranty **does not** extend to repairs made necessary by normal wear, or by the use of parts or accessories which, in the reasonable judgment of Bishop, are either incompatible with the **GATOR EDGER** unit or adversely affect its ability to function properly.

Bishop reserves the right to change or improve the design of any GATOR EDGER unit, without prior notice, and without assuming any obligation to modify any unit previously manufactured. All implied warranties are limited in duration to the applicable one (1) year period. All implied warranties, including merchantability, fitness for a particular purpose or otherwise, are Disclaimed in their entirety after the expiration of the one (1)year warranty period. Bishop's obligation under this warranty is strictly and exclusively limited to the repair or replacement of defective parts, and Bishop does not assume or authorize anyone to assume for them any other obligation.